

CASH DRAWER

■ USER'S GUIDE VER. A

NOTICE

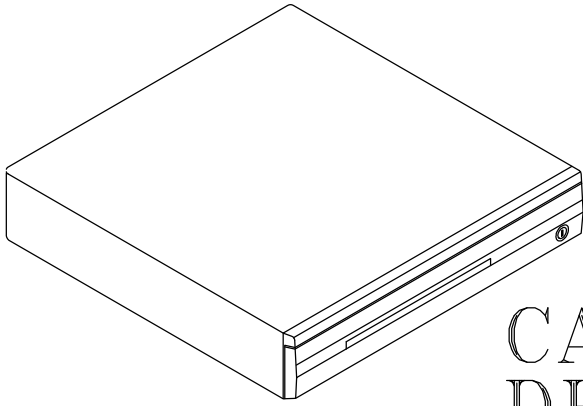
The manufacturer of the POS cash drawer makes no representation or warranties, either expressed or implied, by or with respect to anything in this manual, and shall not be liable for any implied warranties of fitness for a particular purpose or for any indirect, special or consequential damages. Information in this document is subject to change without notice and does not represent a commitment on the part of the manufacturer.

FCC NOTICE

This equipment generates, uses, and can radiate radio frequency energy and if not installed and used in accordance with the instructions manual, may cause interference to radio communications. It has been tested and found to comply with the limits for a Class A digital device pursuant to Subpart J of Part 15 of FCC Rules, which are designed to provide reasonable protection against interference when operated in a commercial environment. Operation of this equipment in a residential area is likely to cause interference in which case the user at his own expense will be required to take whatever measures may be required to correct the interference.



Models CR-3100/3200
CR-3104/3204



CASH DRAWER

■ USER'S GUIDE

INTERFACE DESCRIPTION

- . **CR3100/3200** is a dumb cash drawer, which must be driven by **POS** printer.
- . **CR3104/3204** is a dedicate low cost **RS232** cash drawer, which can be directly driven by **RS232** signal .

FEATURES

- . Rugged design with reinforced heavy gauge steel construction.
- . Large ball bearings riding on special guides for remarkably smooth drawer slide
- . Contemporary style
- . Advanced electronics that extend the **MTBF**(Mean Time Between Failure).
- . Precision mechanical parts with tight tolerance to assure wobble-free drawer movements.
- . Check slot for non-cash or large-bill transaction.
- . Three-position lock for maximum cash security.
- . Drawer open sensor (CR3100/CR3200 Rev.B and later only)
- . Dedicate **RS232** Interface. (**CR3104/3204 only**)
- . Removable tray with a lock-on cover. Bill compartments and coin compartments are adjustable. The tray cover TC2100 for CR3100/3104 and TC2200 for are optional.

SPECIFICATIONS

MECHANICAL:	Dimensions : 500(W)x420(D)x90(H)mm (CR-3200/3204)
	400(W)x410(D)x85(H)mm (CR-3100/3104)
	Weight : 9Kgs (CR-3200/3204)
	6.7Kgs (CR-3100/3104)

ELECTRICAL:

INPUT TO SOLENOID

Pulse Amplitude	12 to 24 VDC	Max. Input Voltage	26.4 VDC
Pulse Width	100 to 200 msec	Current Consumption	1A @ 12 VDC
Pulse Duty Cycle	10% max.	Activation Current	0.9 A max.

SERIAL INPUT (**CR3104/3204 only**)

Data Format	Standard RS232C
Protocol	No handshake
	Baud rate:150,300,600,1200,2400,4800,9600,19200
	Parity: none, even, or odd
	Data bits: 7 or 8

8P Telephone JACK PIN configuration (CR3100/3200 Rev.B and later only)

PIN1 (BLACK)	OPEN drawer sensor, connects to PIN2 when drawer open
PIN2 (RED)	OPEN drawer sensor, connects to PIN1 when drawer open
PIN7 (GREEN)	INPUT to solenoid
PIN8 (YELLOW)	INPUT to solenoid

INTERFACE DESCRIPTION

Model CR-3100/3200 with POS Printer Interface:

Whenever the **POS** application software sends the required special command to the **POS** printer, the printer will output an electrical pulse to open the drawer. This required special command is determined by the type of the **POS**

printer used. For example, the special command for **STAR POS** printer is the bell command (**07H**).

Model CR-3104/3204 with Dedicated Interface:

Whenever the **POS** application software transmits any kind of data to the computer **COM1(or COM2)** port, the drawer will be opened.

FUNCTIONAL TEST (CR3104/3204 only)

- 1.Type "MODE COM1(or COM2) 96 N 8 1" .Hit the **ENTER** key .
- 2.Type "TYPE CON>COM1(or COM2)" . Hit the **ENTER** key.
- 3.Type " ABC" . Hit the **ENTER** key (or any code),then the drawer will open.
4. Hit **CTRL-C** (Press Ctrl and C keys together) to return the computer back to the normal display mode.

INSTALLATION

CR3100/3200: 1.Connect the drawer to **POS** printer as shown in **Fig1**. Different **POS** printer use the dirfferent cable connector ,Please check your local distributor.

CR3104/3204:

- 1.Open the PC case,put the metal strip with power connector cable into one of the I/O bracket.
- 2.Connect the cable to the **FDD** power connector of PC power supply. see **Fig2**.
- 3.Connect the DB-9 connector to the computer's serial port of COM1(or COM2) Connect the 4P phone jack connector to the I/O bracket. see **Fig3**.

CARTON CONTENTS

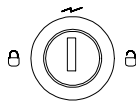
- 1.Cash drawer preassembled
- 2.User' s manual
- 3.Key 2pcs,there is a key serial NO. sticker on the cash drawer bottom plate. If user lost the key he/she can order the key according to this number.
- 4.Signal cable (for CR3100/CR3200 only): the standard signal cable has a connector on one end which can be plugged into the cash drawer, and the other end is free ,the user must assemble this end according to your **POS** printer specification,or user can order the special cable from your local distributor which already assemble the cable to meet different **POS** printer standard, This optional cable has different parts NO. as following.

POS printer brand	Rev. A	Rev.B and later
EPSON printer 1	CCBLA-155	CCBLA-160
EPSON printer 2	CCBLA-123	CCBLA-162
STAR printer	CCBLA-058	CCBLA-160
Citizen	CCBLA-059	CCBLA-159

In the above , the connector of the cable to be plugged into cash drawer is a 3.5mm DIA. stereo plug for cash drawer of Rev.A, while this connector is changed to a 8-pin plug for cash drawer of Rev.B and later

- 5.Power connector cable and I/O bracket plate (for CR2104/CR2204 only.)

Model CR-3100/3104/CR-3200/3204 Keylock Operation:



Keylock

- ⊖ : Permanent lock the drawer.
- ⊕ : Open the drawer by the key.
- ↻ : Automatic open the drawer by POS printer output (CR3100/3200) or the computer control (CR3104/3204)

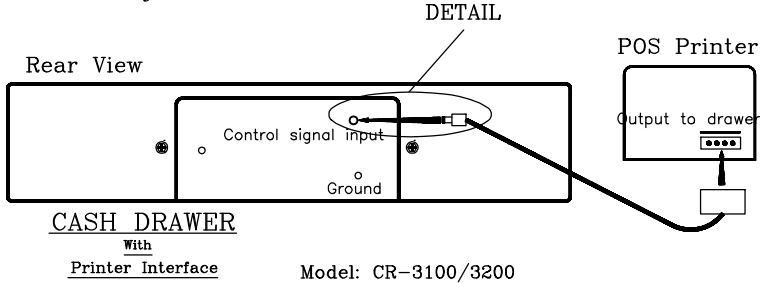


Fig 1

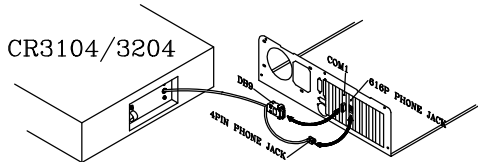
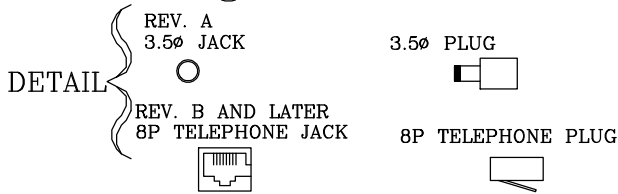


Fig 2

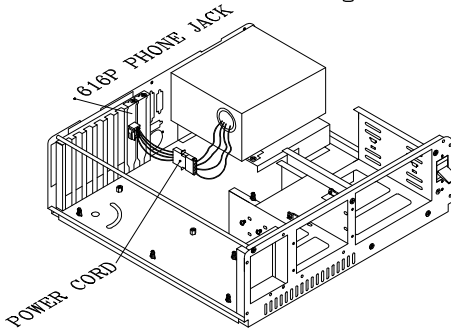


Fig 3